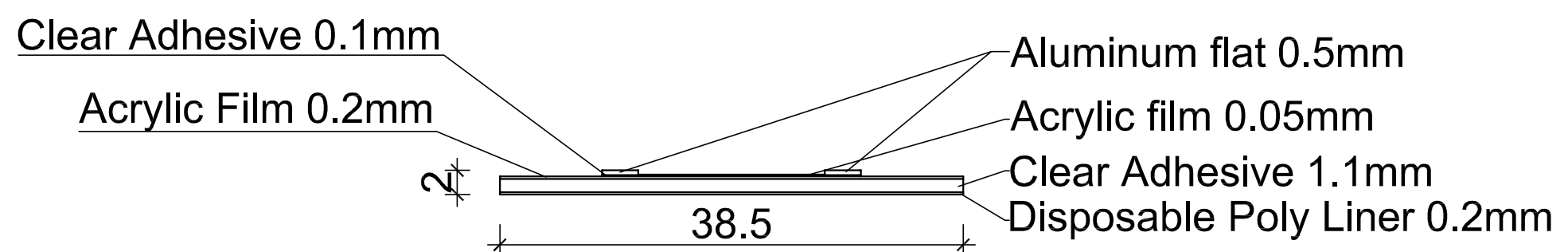



Name	Electrical system Scaretape
Function	The electrical system Scaretape consists of a PVC plastic layer, which hold two aluminium stripes on another acrylic layer for insulation. The PVC layer is self-adhesive for easy installation and can be attached to most surfaces. Through an electrical power supply, electricity is funneled into the system, which disperses birds like an electric fence. There is no danger for birds or human beings touching the system incidentally.
Components	<ul style="list-style-type: none"> <li>&gt; Self-adhesive PVC layer. 1 role = 15m long</li> <li>&gt; Adhesive: 3M® 4910 VHB (Very High Bond)</li> <li>&gt; Acrylic film insulation</li> <li>&gt; Aluminium strips</li> <li>&gt; Connective sleeve 3x30 Copper or stainless steel</li> <li>&gt; High insulation cable black</li> <li>&gt; Power supply</li> </ul>
Material	Profile consisting of UV- and weather proof plastic (PVC) Aluminium strips Connective sleeves
Height	2 mm
Width	38.5mm
Color	transparent
Effectived range	100mm
Distance from other material	15mm
UV-protection	Tests have proven no severe effect by UV radiation after 6 years
Installation	Self-adhesive plastic profile. Installation on most surfaces, excluding except wood, sandstone, cast concrete, rust or oxidized surfaces. All surfaces must be cleaned, oil- and dust free and dry.
Processing temperature	>10°C
Application	Attics, building edges
Accessories	Rain guard, Lightning Choke
Installation service	System control twice within the maintenance period.



	Accessories	Article-No :
1	Special Adhesive	S-1101
2	Primer	C-3101
3	Power Supply, 2-wire	E-0801
4	Surge Generator	E-0901
5	Digital System Tester	E-10
6	Warning Sign	E-1101
7	Rain Guard	E-12
8	Lightning Switch	E-13
9	Lightning Choke	E-14

**Liability advise**  
 TONI-Products are long established and proven bird control products. However, TONI products can only work effectively as part of an overall and planned programme of bird control. This includes hygiene management and the use of professionally trained personnel. Without limitation, TONI Bird Control Solutions GmbH & Co. KG will not accept liability for any consequences as a result of poor equipment maintenance, misuse, inappropriate use, lack of operative training, failure of due diligence or through lack of prior project consultation. In some countries, the use of TONI products may require an official permit for building regulation or nature conservation. TONI will not accept liability for any consequences as a result of missing approvals.

 TONI Bird Control Solutions GmbH & Co. KG 60599 Frankfurt / Germany Tel. +49(0)69 4800 9779 Fax. +49(0)69 4800 9778 www.Birdcontrolsolutions.net	<b>Manufacturer:</b> TONI Bird Control Solutions GmbH & Co. KG		Drawing Scale :
	Product name: Electrical system Scaretape		<b>1:0.5</b>
Done by	Name G.Draganov	Date 10.08.2010	Product-No: E-15